

USER MANUAL

D900A3 Automatic Ticket Dispenser



PRODUCT CODE # 3950903

| Page # | USER MANUAL CONTENTS: |
|---------------|------------------------------------------------------------|
| D900A3-2 | D900A3 Automatic Ticket Dispenser – Product Configurations |
| D900A3-3 | Connections & Setting-Switches (On Back Of Dispenser) |
| D900A3-4 | Dispenser Bracket Mounting |
| D900A3-5 | Ticket Types & Loading Ticket Roll |
| D900A3-6 | Loading Ticket Roll (Continued) |
| D900A3-7 | Set Starting Ticket Number ~ L3 System |
| D900A3-8 | Set Starting Ticket Number ~ For Older V2 System |
| D900A3-9 | Turn-O-Matic Contact Information |

PRODUCT CONFIGURATIONS

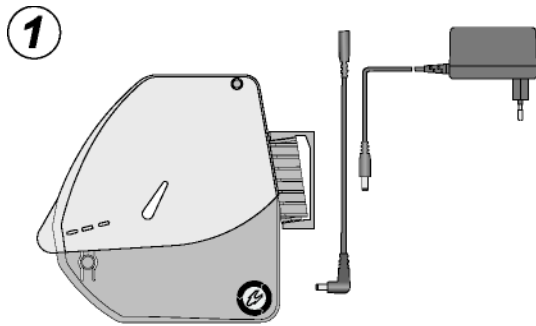
① Dispenser Pack D900A3

Dispenser Pack D900A includes plug-in power cable and plug-in power supply. ~~Can be used in V3 systems S3 and M3 without dispenser data connection and in V2 systems with optional Dispenser Cable set noted in point 3 below.~~

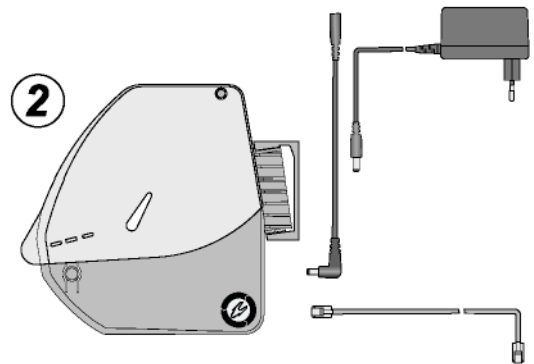
② PLUS Pack Dispenser D900A3

PLUS Pack Dispenser D900A3 includes power cable and supply plus plug-in data cable for L3 system.

Marvin's SEK List & our manual do not mention or show a plug-in power



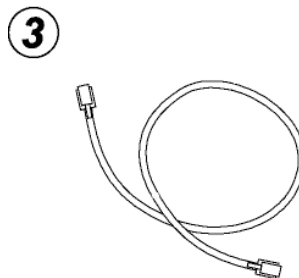
Product Code # 3950923



Product Code # 3857330

③ Option, Cable Set D90E/D900A-C900

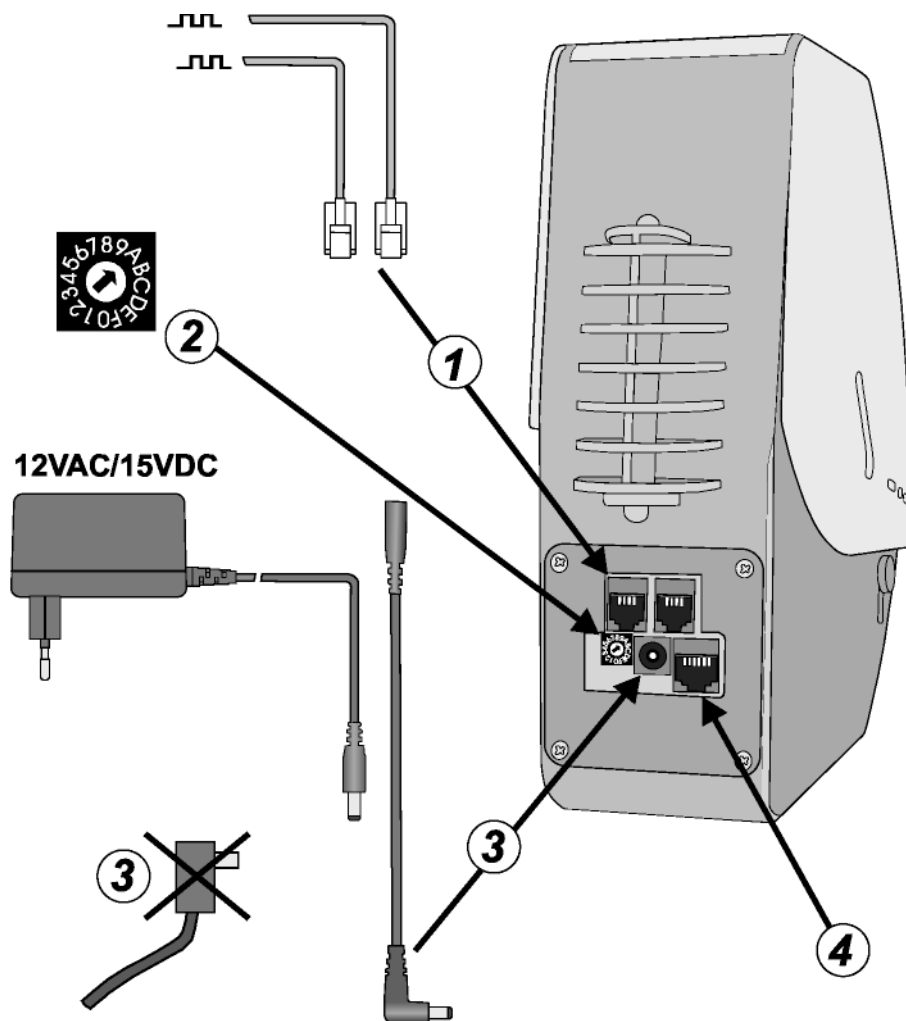
Option, Cable Set D90E/D900A-C900:
~ Required for connecting D900A3 to V2 C900S or C900S-PC. (offered as a service part for older systems)



Product Code # 395504

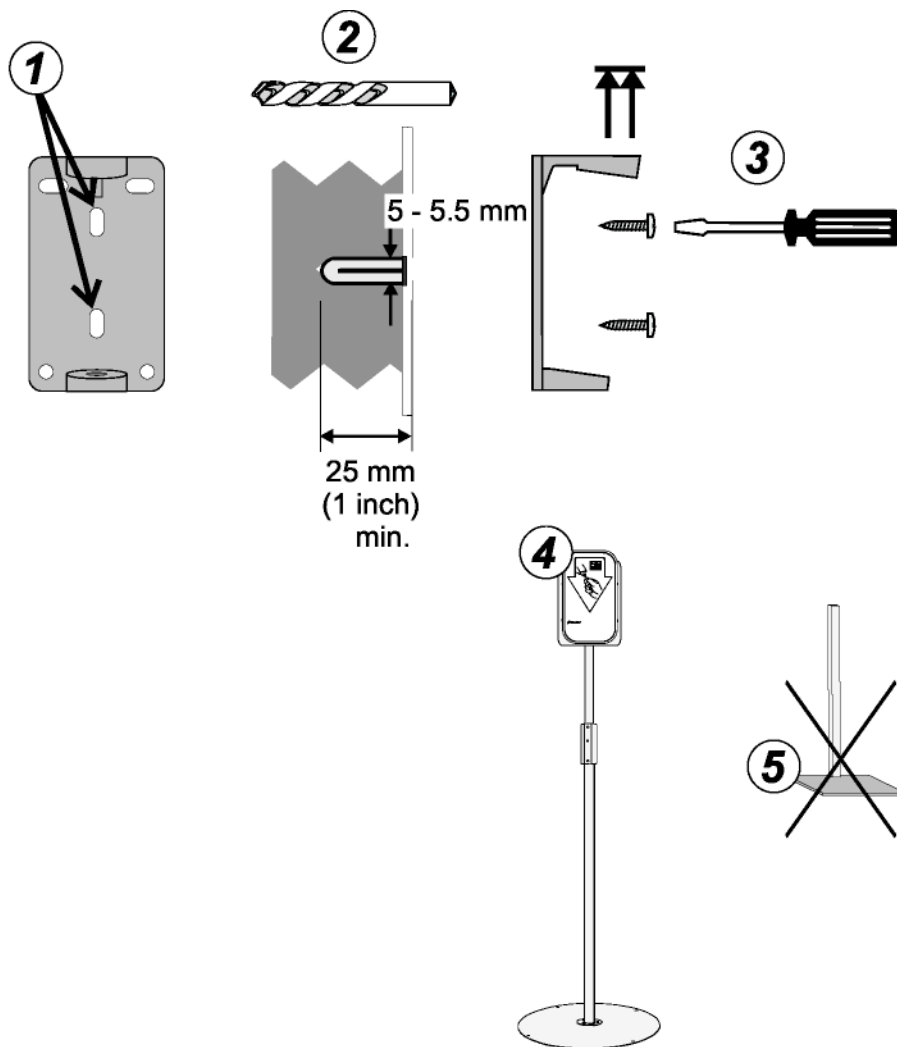
CONNECTIONS & SETTING-SWITCHES (ON BACK OF DISPENSER)

1. TOM-Net data In / Out, RJ10 modular plug.
2. TOM-Net Address setting, set to Service Type 'A'.. 'E'.
3. Power In, 2.5 mm DC plug. ***USE THE INCLUDED POWER CABLE WITH ANGLED DC PLUG TO CONNECT THE POWER SUPPLY. DO NOT USE THE EARLIER V2 POWER SUPPLY WITH RIGHT ANGLE PLUG!***
4. V2 C900 connection, RJ12 modular plug.



DISPENSER BRACKET MOUNTING

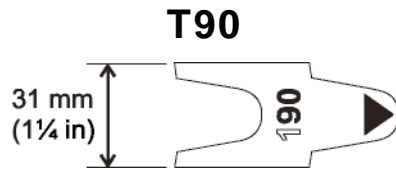
1. Mark hole location using bracket as template
2. For fastening in other than solid wood, use included expander plugs
3. Set bracket in place with the **longer** holder at the top. Fasten with the included screws.
4. Option, Dispenser Floor Stand
5. **DO NOT USE THE OPTIONAL COUNTER STAND** for the D900A3 dispenser



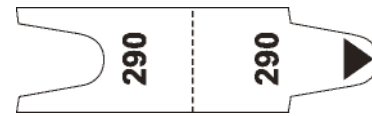
D90 TICKET TYPES ~ LOADING TICKET ROLL

1. Use only T90 or T90 DBL tickets
2. Connect power to the dispenser.
3. Push in the cover latches, swing the cover fully open and remove the old ticket roll core.
4. Release the ticket strip end and push the roll into the holders with the ticket strip end at the bottom pointing outward. Be sure the roll is set properly into the holders so that it turns freely.

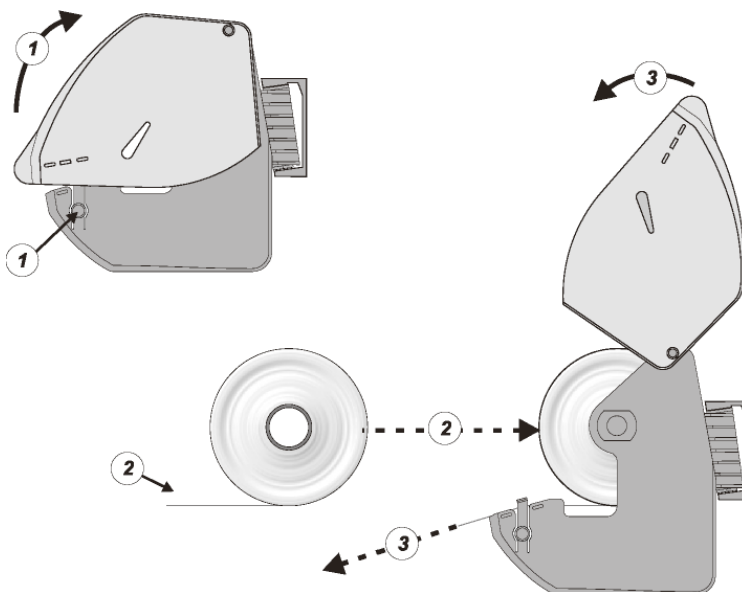
Use only T90, T90 Perfed Repeating Sequential or Double Length



T90 - Double, Perfed, Repeating Sequential



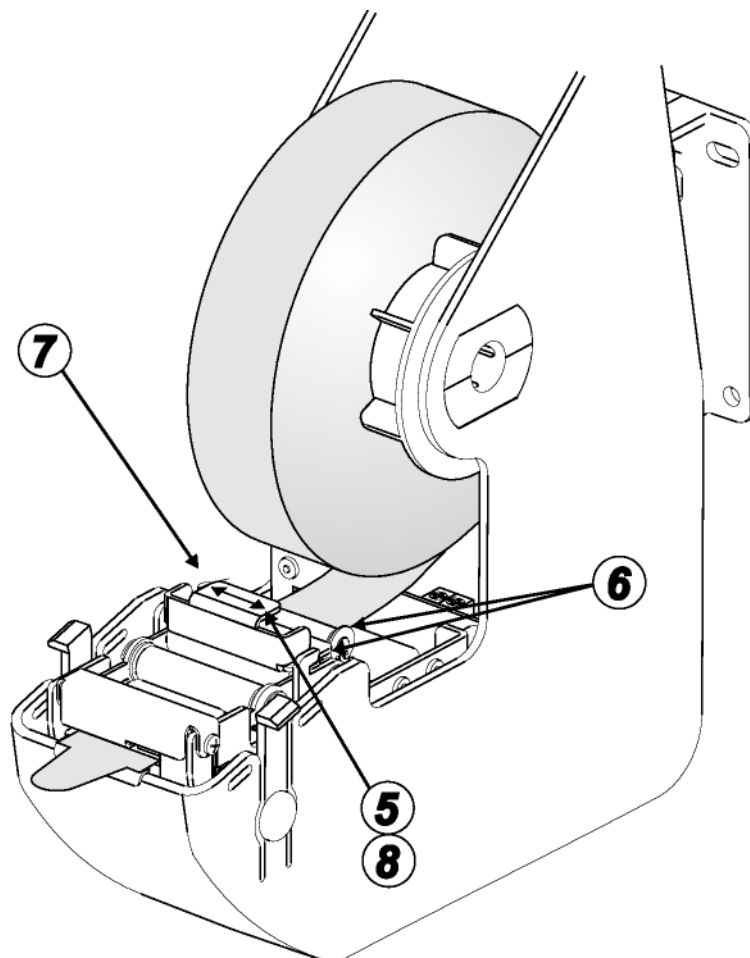
T90 - Double Length - Promotional



**Continued on
next page**

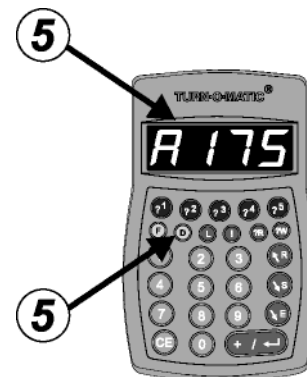
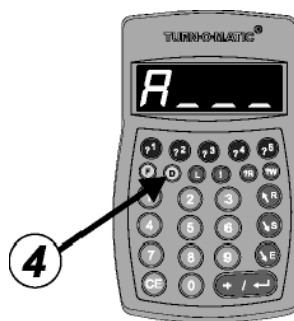
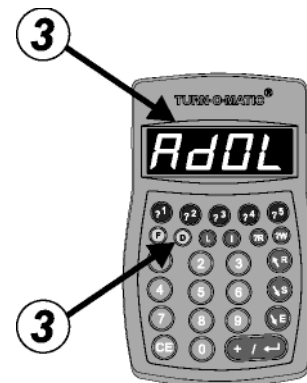
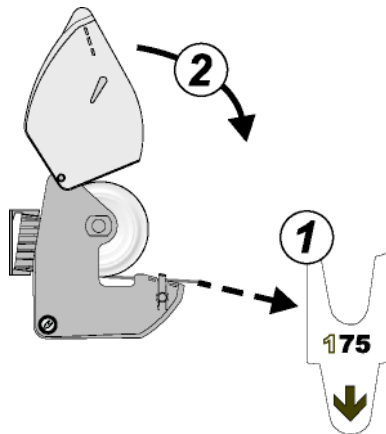
LOADING TICKET ROLL ~ Continued

5. If the ticket feeder is not closed, push down on the feeder latch and slide the latch to the right to close.
6. Remove tickets with glue or torn edge to begin the ticket strip with a full ticket. Insert the first ticket **under the back roller and feeder entry guide.**
7. Press the manual feed switch to feed the ticket strip through the feeder.
8. If the ticket strip jams, open the feeder to pull out the jammed tickets. Press down on the feeder latch, slide it to the left to unlock it and lift the latch to open the feeder.



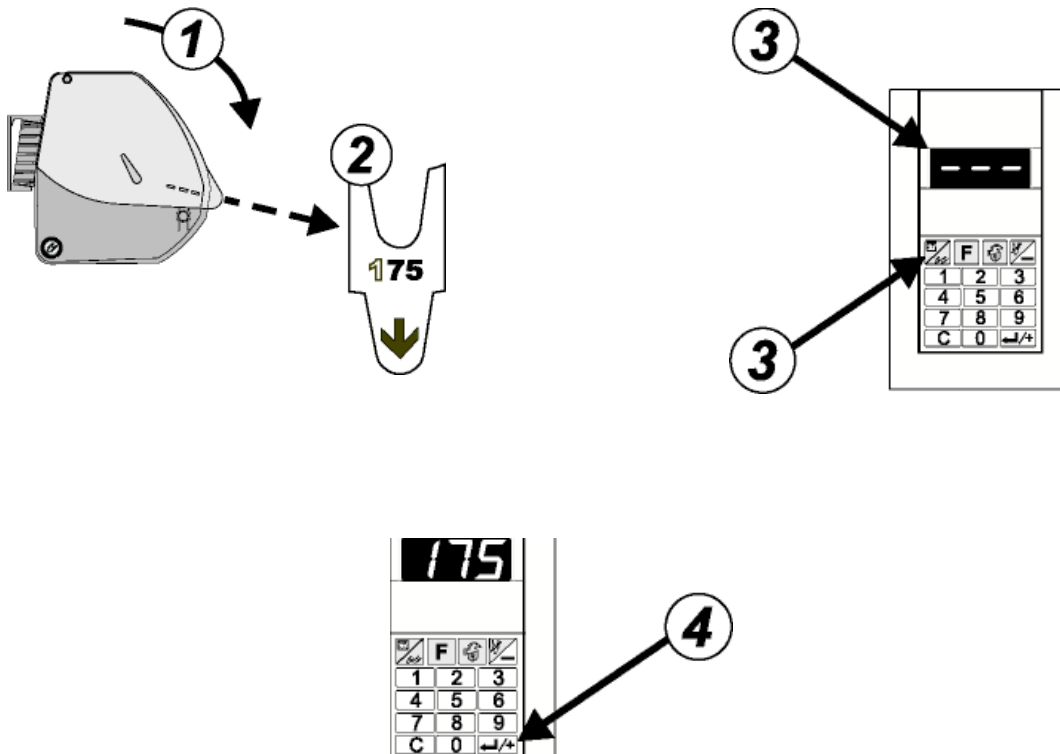
SET STARTING TICKET NUMBER ~ L3 SYSTEM

1. After **setting in a** ticket roll, take a ticket **WITH THE DISPENSER COVER STILL OPEN**
2. Close the dispenser cover after taking a ticket
3. On system startup, the message '\$dOL' is displayed on K900 units, meaning that the \$ (Service Type A...E) dispenser is Off-line (ex, ST=A). To take a dispenser Off-line manually for changing ticket roll, press and hold the D key for 3 seconds.
4. With '\$dOL' displayed, press the D key on a **K900 that is logged on to the same Service Type**. The K900 displays '\$_ _ _' (ex. 'A_ _ _').
5. Key in the start ticket number (Ex. '175') and press the D key.



SET STARTING TICKET NUMBER ~ FOR *OLDER* V2 SYSTEM

1. After **setting in a** ticket roll, close the dispenser cover.
2. Take a ticket from the dispenser for the start ticket number
3. On System startup, ' _ _ ' is displayed on the C900 master, meaning that the dispenser is Off-line. To take the dispenser Off-line manually for changing ticket roll, press and hold the C900 DISPENSER Key until 'Cdr' is displayed. Then take a start number ticket from the dispenser and press the C900 DISPENSER key again to display " _ _ _ '.
4. Key in the start ticket number (Ex. '175') and press the ENTER key.



TURN-O-MATIC CONTACT INFORMATION:

CUSTOMER SERVICE:

- **Customer Service**
SATO LABELING SOLUTIONS AMERICA, INC.
1140 Windham Parkway
Romeoville, IL 60446

Customer Service Toll Free Phone #: (800) 645-3290, Ext. 8
Customer Service Direct Phone #: (630) 771-4200, Ext. 8
Customer Service Fax #: (630) 771-4250

TECHNICAL CENTER:

- **Technical Center**
SATO LABELING SOLUTIONS AMERICA, INC.
30 Chapin Road, Suite 1201
PO Box 777
Pine Brook, NJ 07058

Technical Center Toll Free Phone #: (800) 205-7611, Ext. 3654
Technical Center Direct Phone #: (973) 287-3654
Technical Center Fax #: (973) 227-3961